

City of Stratford Newsletter

Fall 2025



Contact

Stratford City Hall

805 Shakespeare Ave, PO Box 218

Stratford, IA 50249

Phone: 515-838-2311 Fax: 515-838-2315

Email: cityofstratford@globalccs.net

Website: stratfordiowa.com



NOTICE TO ELECTRIC UTILITY CUSTOMER

The Iowa Utilities Board (IUB) is a utility regulatory agency. If you have questions or complaints regarding your utility service, you may contact a utility representative at City of Stratford, 805 Shakespeare Ave., Stratford, IA 50249, 515-838-2311, or email cityofstratford@globalccs.net. If your complaint is related to service disconnection, safety, or renewable energy, and we do not resolve it, you may request assistance from the Iowa Utilities Board: call 877-565-4450 (toll free); or write to 1375 East Court Avenue, Room 69, Des Moines, IA 50319-0069; or email customer@iub.iowa.gov. Low-income customers may also be eligible for free legal assistance from Iowa Legal Aid, and may contact Legal Aid at 1-800-532-1275.

Heating Assistance for Families

The Low-Income Home Energy Assistance Program (LIHEAP) is designed to assist low-income families with the cost of home heating. Applications are accepted on a first-come / first-serve basis as posted at your local community action office. The Community Action Agency for Stratford is Upper Des Moines Opportunity. A household may qualify for assistance in this program if its' income falls within a prescribed income range. When you apply, bring proof of income for the last 3 months, including verification of any fixed income such as Social Security benefits and Aid to Families with Dependent Children; a copy of your federal income tax return; and copies of your heating and electric bills. For more information, contact your local community action office located in Webster City, IA, 50595; 515-832-6451 or write to LIHEAP Community Action Department of Human Rights, IA Dept. of Human Rights, Capitol Complex, Des Moines, IA 50319.

Thinking about building a grain bin?

If you're planning to build or move a grain bin, either on your property or for someone else, you need to be familiar with Iowa's law on required distances from overhead electric lines. This law was put in place to provide protection from the hazard of contacting overhead electric lines to anyone working around grain bins with augers, elevators, or other equipment.

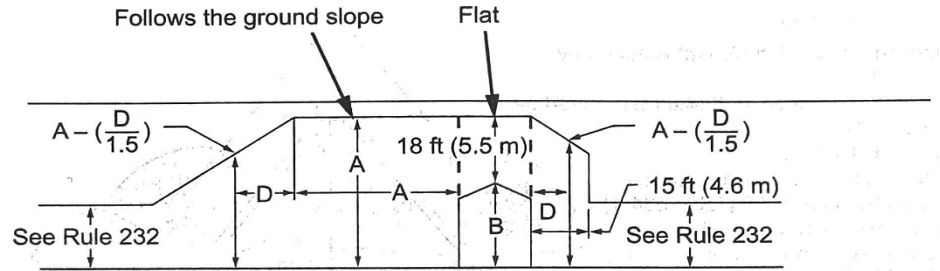
The drawings inside this brochure show the specific clearance requirements related to permanently installed augers and portable augers. There must be at least 18 feet between the top of any grain bin and any overhead electric lines. These distances were developed by the American National Standards Institute. Figure 232-4(b) can be found in the 2023 Edition National Electrical Safety Code (NESC). As your electric service provider, we're responsible for ensuring that these specifications are met. In fact, in any situation where minimum clearance requirements are not observed, the utility may refuse electric service.

So if a new grain bin is on your list of projects, please give us a call. We will work with you in developing a site plan for your project.

**

Grain Bin Clearance

Source: The 2023 Edition National Electrical Safety Code (NESC) and the American National Standards Institute (ANSI C2-2023).



B = Height of highest filling or probing port on grain bin
 A = B + 18 ft (5.5 m)
 D = Variable horizontal dimension

ELEVATION

In the area of sloped clearance, the vertical clearance is reduced by 1 ft (300 mm) for each additional 1.5 ft (450 mm) of horizontal distance from the grain bin.

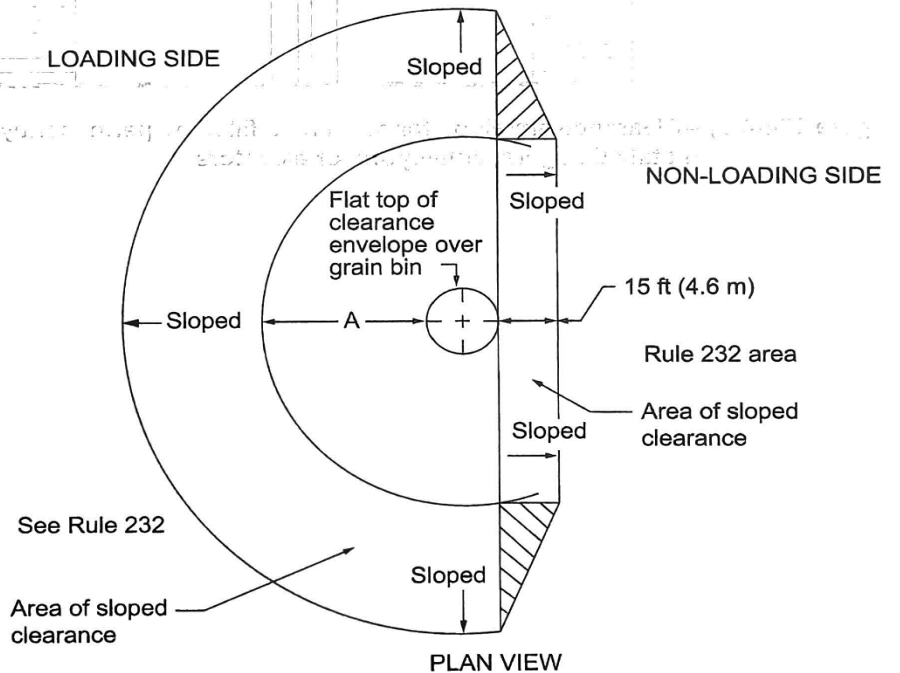


Figure 234-4(b)—Clearance envelope for grain bins filled by portable augers conveyors, or elevators

- Legend
- P = Probe clearance 18 ft (5.5 m) required by Rule 234F1a
 - H = Horizontal clearance 15 ft (4.6 m) required by Rule 234F1a
 - T = Transition clearance
 - V₁ = Vertical clearance above a building required by Rule 234C (Table 234-1)
 - V₂ = Vertical clearance required by Rule 232B (Table 232-1 or Table 232-2)

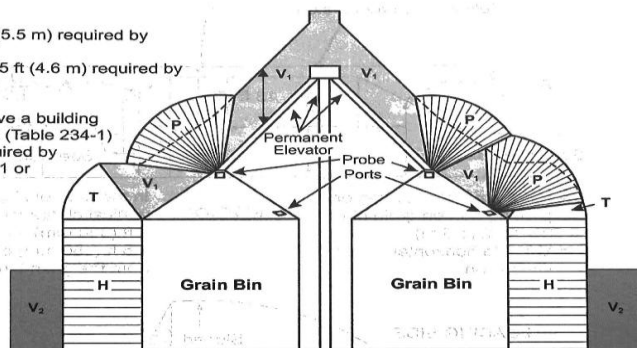
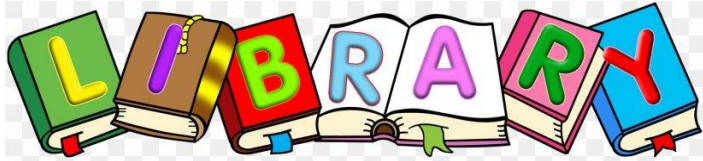


Figure 234-4(a)—Clearance envelope for grain bins filled by permanently installed augers, conveyors, or elevators



October events at the Stratford library:

October events:

- Story on a Stick: October 17-25,
- Trick or Treat: October 31 - 5 to 6 pm, Adult Book Discussion: October 28 - 11 am.

November events:

- Kid's Cooking Club: November 6 - 3:15 pm,
- Needle Felting Class: November 7 - 1pm, the library will be closed November 27 and 28.

Planning on getting your lifeguard certification?

Classes usually start in early February and fill up very fast, so plan ahead! Call Fuller Hall (515-832-9193) in Webster City, or the Fort Dodge American Red Cross office as soon as possible. You must be a least 15 years old to be a lifeguard before the pool season starts.

The City of Stratford has a **Lifeguard Reimbursement Policy**. This policy will repay lifeguards for their certification or recertification over a two-year period. To be eligible for the reimbursement, lifeguards will need to receive their lifeguard certification or recertification and be able to provide receipt of this cost from a qualified certifier. Lifeguards also need to agree to work for the entire scheduled pool season to receive the first reimbursement of 50% for certification or for recertification costs. Additionally, a lifeguard is required to work for a second entire scheduled pool season to receive the second reimbursement of 50% for certification or for recertification costs. If you are interested, please contact City of Stratford at 515-838-2311 or email us at cityofstratford@globalccs.net for more details.



Monitoring Violation of the Water Testing Schedule

Our water system violated a drinking water standard(s) over the past year. Even though these were not emergencies, as our customer, you have a right to know what happened and what we did to correct these situations.

We, the City of Stratford Public Water Supply are required to monitor your drinking water for specific contaminants on a regular basis. Results of regular monitoring are indicator of whether or not drinking water meets health standards. During the third quarter, 2025 we did not monitor or test for one sample for nitrogen-ammonia, Total trihalomethanes (Tthm), and Halacetic Acids (Haa5) and therefore cannot be sure of the quality of our drinking water during this time.

What should I do?


There is nothing to do at this time.

What Happened? What is being done?

The City of Stratford did not sample for Nitrogen-ammonia during the compliance period April 2025 to June 2025 and Tthm, and Haa5 in July 2025. We are correcting by sampling for nitrogen-ammonia, Tthm, and Haa5 currently.

For more information, please contact Kim Leeds or Brad Larson.

TIDBITS OF INFORMATION

- **Electrical Outage Procedures** If experiencing an electrical power outage during City Hall's business hours of 8:00-4:30 p.m., call 515-838-2311. When experiencing an electrical power outage after hours at your place of residence, call Maintenance Supervisor Brad Larson 641-373-7676. If the whole town is experiencing an electrical power outage and Maintenance Staff doesn't answer, call Hamilton County Dispatch at 515-832-9500; or Midland Power Cooperative's emergency number, 1-800-286-2268. If all else fails, call 911.
- **City Website** Check out the City of Stratford's website where you can subscribe to alerts and public notices at stratfordiowa.com!
- **City Council Members** are Carol Bergman, Catherine Bergman, Terry Bryan, Chase Haman, Clark Conklin, and Mayor Brian Ouverson. Council meetings are held the second Monday of every month at City Hall at 7:00 p.m.
- **Don't forget to Vote on November 4th, 2025** in the City/School election. Voting site is the Stanhope Community Center from 7:00 am to 8:00 pm.
- **City Hall will be closed** on Thursday, November 27th in observation of Thanksgiving Day, and Friday, November 28th, the day after Thanksgiving; Thursday, December 25th in observation of Christmas; Thursday, January 1st in observation of New Years; & Monday, February 16th, in observation of President's Day.
- **Fire and Rescue Department Ribeye Dinner** will be on November 26, 2025 from 5:00 p.m. to 7:00 p.m. If you can't make it call and reserve your meal. 

PROJECT SHARE — Add a "PS" to help a neighbor

Many of our less fortunate neighbors are worried about keeping their families warm during the winter season. You can do something to help through **PROJECT SHARE**. Project Share is a plan that helps needy households pay a portion of their energy bills. Add a regular "PS" contribution to your monthly utility payments or make a direct donation. Your contribution is voluntary, flexible, and tax-deductible. To participate, simply call 515-838-2311 or stop in at City Hall in Stratford.

Garbage and Recycling Information

On January 1, 2026 there will be an increase in the garbage rate for garbage collection. The increase will be for garbage and recycling picked up in January and will appear on the February 1, 2026, utility bills. The increase is going up \$0.76 per residential service from \$21.87 to \$22.63 Landfill charges will remain the same at \$2.05 per garbage container. This is due to an annual of 3.5% increase in the sanitation services agreement. Commercial customers will be receiving a letter outlining the 3.5% annual increase in the sanitation service agreement. This is the fourth year of the sanitation contract with The Trash Man.

Garbage and recycling need to be out at the curbside by 7:00 a.m. on garbage pickup morning. Garbage pickup morning will be Thursdays, unless a major holiday falls in the week, then it's usually a Friday pickup. Recycling is every other Thursday. City Hall will post if it's a Thursday or a Friday pickup in the event of a Holiday. Please feel free to call City Hall or email us if you are wondering which day.

Remember when garbage day is over, you need to have your garbage and recycling containers off the street and out of the city right of way and put them back on your personal property to avoid damaged or lost containers. Close to your house is best.

If you have any questions or concerns, please give City Hall a call at 515-838-2311; look us up on the city website at stratfordiowa.com or email us at cityofstratford@globalccs.net.



Skip the late fees & never miss a payment again! Sign up for automatic withdrawal from your bank account to pay your utility bill by contacting City Hall at 515-838-2311.



**SHADED DATE INDICATES
RECYCLING WILL BE PICKED
UP THAT DAY – PLEASE
NOTE THAT FRIDAY PICK
UPS INDICATE A HOLIDAY
WEEK

2026

January 2026							February 2026							March 2026						
S	M	T	W	T	F	S	S	M	T	W	T	F	S	S	M	T	W	T	F	S
				1	2	3	1	2	3	4	5	6	7	1	2	3	4	4	6	7
4	5	6	7	8	9	10	8	9	10	11	12	13	14	8	9	10	11	12	13	14
11	12	13	14	15	16	17	15	16	17	18	19	20	21	15	16	17	18	19	20	21
18	19	20	21	22	23	24	22	23	24	25	26	27	28	22	23	24	25	26	27	28
25	26	27	28	29	30	31								29	30	31				
April 2026							May 2026							June 2026						
S	M	T	W	T	F	S	S	M	T	W	T	F	S	S	M	T	W	T	F	S
			1	2	3	4						1	2		1	2	3	4	5	6
5	6	7	8	9	10	11	3	4	5	6	7	8	9	7	8	9	10	11	12	13
12	13	14	15	16	17	18	10	11	12	13	14	15	16	14	15	16	17	18	19	20
19	20	21	22	23	24	25	17	18	19	20	21	22	23	21	22	23	24	25	26	27
26	27	28	29	30			24	25	26	27	28	29	30	28	29	30				
							31													
July 2026							August 2026							September 2026						
S	M	T	W	T	F	S	S	M	T	W	T	F	S	S	M	T	W	T	F	S
			1	2	3	4							1			1	2	3	4	5
5	6	7	8	9	10	11	2	3	4	5	6	7	8	6	7	8	9	10	11	12
12	13	14	15	16	17	18	9	10	11	12	13	14	15	13	14	15	16	17	18	19
19	20	21	22	23	24	25	16	17	18	19	20	21	22	20	21	22	23	24	25	26
26	27	28	29	30	31		23	24	25	26	27	28	29	27	28	29	30			
							30	31												
October 2026							November 2026							December 2026						
S	M	T	W	T	F	S	S	M	T	W	T	F	S	S	M	T	W	T	F	S
				1	2	3	1	2	3	4	5	6	7			1	2	3	4	5
4	5	6	7	8	9	10	8	9	10	11	12	13	14	6	7	8	9	10	11	12
11	12	13	14	15	16	17	15	16	17	18	19	20	21	13	14	15	16	17	18	19
18	19	20	21	22	23	24	22	23	24	25	26	27	28	20	21	22	23	24	25	26
25	26	27	28	29	30	31	29	30						27	28	29	30	31		

City of Stratford

805 Shakespeare Avenue
Stratford, IA 50249-0218
Phone: 515-838-2311
cityofstratford@globalccs.net
Hours M – F 8:00 am – 4:30 pm

PRSORT STD
U.S. POSTAGE
PAID
STRATFORD, IA
PERMIT #15

Stratford City Council has four positions available on the November 4th ballot.

One of the most challenging and exciting responsibilities an individual can assume is to become a mayor or council member. The business of city government and local leadership presents a unique opportunity to resolve issues, accomplish goals, and affect the future of your community.

The City of Stratford conducts business on the second Monday of each month. The meetings are held at 7:00 pm, with additional work sessions anticipated during budget season (December - March) and special meetings when necessary. Regular meetings last on average two hours.

There are four four-year terms on the November 4th ballot. These vacancies include a mayor and three council members. In order to hold office in the city, a candidate must be an eligible elector, meeting the same qualifications required to vote and be a resident of the city he or she plans to serve. Those elected will take office January 1, 2026.

Stratford City Council and School board Elections will be held Tuesday, November 4th, 2025 from 7:00 a.m to 8:00 p.m. at Stanhope Community Center. For information about absentee voting contact the Hamilton County Auditor's office at 515-832-9510. Please make sure you get out and vote!